



Rimini Braccio New

I

Modello con struttura in alluminio verniciata a polveri epossidiche con rinnovato colore starwhite. Si inserisce perfettamente in ambienti moderni e ricercati.

UK

Parasol with aluminium frame epoxy coated with renewed starwhite color. It fits perfectly into modern and sophisticated environments.

D

Schirm mit Aluminiumgestell pulverbeschichtet in der neuen Version Starwhite. Besonders fuer moderne und anspruchsvolle Mileux geeignet.



F

Modèle avec armature en aluminium vernis couleur Starwhite renouvelée. Il s'intègre parfaitement dans les environnements modernes et sophistiqués.

E

Modelo con estructura de aluminio pintada con polvo epoxi con el nuevo color Starwhite. Se introduce perfectamente en ambientes modernos y de diseño.

NL

Parasol met gepoedercoat aluminium frame in de nieuwe kleur starwhite. Past perfect in een moderne en stijlvolle omgeving.





I
Ombrellone a braccio laterale.
Telaio: alluminio e componenti in acciaio;
verniciato a polveri colore starwhite.
Accessori in nylon.







UK
Cantilever parasol.
Frame: powder coated aluminium and
steel components starwhite.
Nylon accessories.

D
Pendelschirm. Gestell aus
pulverbeschichtetem Aluminium.
Bestandteile aus Stahl Farbe starwhite
Zubehoer aus Nylon.

F
Parasol bras deporté.
Armature en aluminium vernis,
composants en acier couleur starwhite.
Accessoires en nylon.

E
Parasol con brazo lateral.
Estructura: aluminio y componentes de
acero, recubierto con polvo color starwhite.
Accesorios de nylon.

NL
Vrijhangende parasol. Mast en baleinen:
starwhite geëpoxeerd aluminium en staal.

	COD	MEASURES		CHARACTERISTICS						
		KG	M ³							
3,5	NEW C3500 RIB	50	0,20	75x75	STAR WHITE	8	STAR WHITE	18x30		
3,0x3,0	C3030 RIB	50	0,20	75x75	STAR WHITE	8	STAR WHITE	18x30		
3,0x4,0	C3040 RIB	52	0,21	75x75	STAR WHITE	8	STAR WHITE	18x30		



FALKENSTEINER - AUSTRIA



FARNBOROUGH AIRPORT - UK



FINISHING								COLOUR RANGE - ACRYL 350 GR											OPTIONAL		BASES			
																				N°2 BC5151	N°4 BC5151	N°2 BV5050	FISSAGGIO TERRA	
																				N°6 BC5050	N°12 BC5050		INGROUND FIX	
•	•	•	•	•	•	•	•	-	-					-	-	-		•	•					
•	•	•	•	•	•	•	•	•										•	•					
•	•	•	•	•	•	•	•	•										•	•					

Ombrellone a braccio in alluminio.

TELAIO: Interamente in alluminio e acciaio verniciati a polveri colore bianco. Sostegno verticale sez. 8x8 cm. Stecche in alluminio sezione 18x30 mm, facilmente intercambiabili abbinata a corone in plastica brevettate per aumentare la resistenza e durata, semplificare la manutenzione e migliorare il design. Con aggancio singolo dedicato per ogni stecca. Tutti gli accessori sono zincati antiruggine e verniciati a polveri colore bianco. Viteria in acciaio inox. Apertura e chiusura con meccanismo a manovella. Stecca blocco antivento per rendere l'ombrellone più stabile e resistente in caso di vento e con possibilità di inclinazione. Inclusa base in metallo girevole 360°C.

TESSUTO: Acrilico Dralon 350gr/m2 impermeabilizzato e trattato antimuffa garantito Teflon. Con camino antivento. Tinto massa. 5 anni di garanzia

Side post aluminum parasol

FRAME: Aluminum and steel structure epoxy coated white color. Side post section 8x8 cm. Easily interchangeable strong aluminum ribs, section 18x30 mm, with patented plastic crowns that increase the resistance and life, simplify the maintenance and improve the design. Ribs are properly fixed to the crown one by one. Accessories in stainless steel. All components are epoxy coated white color. Easy opening and closing with crank. With wind stop rib for a better stability of the parasol in windy condition and to allow the inclination of the parasol. 360° rotating metallic base is included.

FABRIC: Metallic base incl. Acrylic Dralon 350gr/m2 waterproof Teflon and anti-mold treated. With wind cap. Solution dyed. 5 years warranty



.Dimensione (metri)
 .Dimensions (meters)
 .Masse (Meter)
 .Dimensions (metrès)
 .Dimensiones (en metros)
 .Afmeting in (meters)



.Set canaline
 .Raingutter set
 .Regerinnen
 .Set gouttières
 .Canalizador Lluvias
 .Set regengoten



.Fodero
 .Cover bag
 .Schutzhuelle
 .Housse
 .Forro
 .Afdekhoes



.Viteria in inox e ottone nichelato
 .Screws in Stainless steel and nickel plated brass
 .Edelstahlschrauben und vernickeltes Messing
 .Visserie inox et laiton nickelé
 .Tornillos en acero inoxidable y bronce niquelado
 .Schroeven van rvs en vernikkeld messing



.Codice
 .Code
 .Artikelcode
 .Code
 .Código
 .Artikelcode



.Con base/supporto
 .With base/support
 .Mit Staender/Huelse
 .Avec base/support
 .Con base/ soporte
 .Inclusief standaard



.Doppia carrucola
 .Double pulley
 .Doppelter Seilzug
 .Double poulie
 .Doble polea
 .Dubbele katrollen

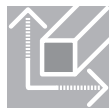


.Tipo finitura della struttura/sostegno/componenti
 .Finishing for frame/structure/components
 .Ausfuehrung des Gestells/der Struktur/der Bestandteile
 .Finition armature/structure/composants
 .Tipo de acabado de la estructura/Soportes/componente

👁 Pag. 68



.Lunghezza
 .Length
 .Laenge
 .Longueur
 .Longitud
 .Lengte



.Sezione stecche
 .Rib section
 .Strebenprofil
 .Section baleines
 .Sección varillas
 .Profiel baleinen



.Sistema telescopico
 .Telescopic system
 .Teleskopsystem
 .Système telescopique
 .Sistema telescópico
 .Telescoop systeem



.Colore dei componenti/stecche
 .Component/Ribs colour
 .Farbe der Bestandteile und Streben
 .Couleur des composants et baleines
 .Color de los componentes ò piezas/Varillas ò listones



.Peso
 .Weight
 .Gewicht
 .Poids
 .Peso
 .Gewicht



.Camino antivento
 .Wind cap
 .Windfang
 .Souffle
 .Chimenea antiviento
 .Windvang



.Sistema retrattile
 .Retractile system
 .Einziehbares System
 .Système retractile
 .Sistema retráctil
 .Inklapbaar systeem



.Stecca con sistema "easy change"
 .Ribs with "easy change" system
 .Streben mit "easy change" System
 .Baleines avec "easy change" système
 .Varillas con sistema de " cambio fácil"
 .Baleinen met het "easy change" systeem



.Volume (m3)
 .Volume (m3)
 .Volumen (m3)
 .Volume (m3)
 .Volumen (m3)
 .Volume (m3)



.Volant
 .Valance
 .Volant
 .Volant
 .Faldón
 .Volant



.Base girevole a 360°C
 .Revolving base 360°C
 .360°C drehbarer Staender
 .Base tournant 360°C
 .Base giratoria 360°
 .360° draaibaar



.Ø Palo (mm)
 .Ø Pole (mm)
 .Ø Mast (mm)
 .Ø Mat (mm)
 .Diametro mm (asta)
 .Ø Mast (mm)



.Blocco antivento
 .Wind stop
 .Windstop
 .Block antivent
 .Freno para el viento
 .Windstop



.Inclinazione fino a 20°
 .Inclination up to 20°
 .Neigung bis zu 20°
 .Inclination jusqu'à 20°
 .Inclinación hasta 20°



.Massima Stabilità Ottenibile
 .Maximum Obtainable Stability
 .Maximal Erhaeltliche Stabilitaet
 .Maximum De Stabilitée Realisable
 .Maxima Estabilidad Posible
 .Maximaal Bereikbare Stabilleit



.Sezione sostegno (mm)
 .Support section (mm)
 .Mastprofil (mm)
 .Section support (mm)
 .Sección soporte (mm)
 .Mast (mm)



.Con meccanismo manovella
 .With winding mechanism
 .Mit Kurbelmechanismus
 .Avec mécanisme manivelle
 .Con manivela
 .Met opwindmechanisme



.Inclinazione fino a 60°
 .Inclination up to 60°
 .Neigung bis zu 60°
 .Inclination jusqu'à 60°
 .Inclinación hasta 60°



.Peso consigliato in condizioni normali
 .Recommended weight in normal condition
 .Empfohlenes gewicht unter normalen bedingungen
 .Poids recommande dans des conditions normales
 .Peso recomendado en condiciones normales
 .Aanbevolen gewicht onder normale omstandigheden



.Stecche
 .Ribs
 .Streben
 .Baleines
 .Varillas
 .Baleinen



.Piastre cemento
 .Cement slabs
 .Kiesbetonplatten
 .Dalles ciment
 .Planchas de cemento
 .Betontegel



.Peso minimo richiesto
 .Minimum ballast required
 .Erforderliches mindestgewicht
 .Poids minimum requis
 .Peso minimo requerido
 .Minimaal vereist gewicht